



PG 32



PG 40



P 40



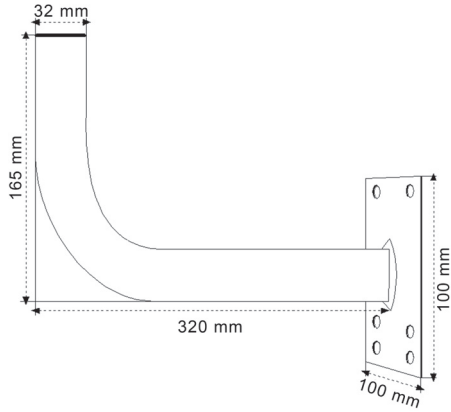
P 40 C



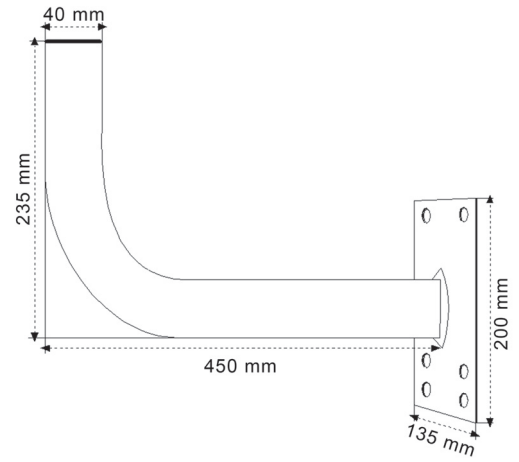
P 40 L

Technical specifications. Hot-galvanized supports for offset dishes.

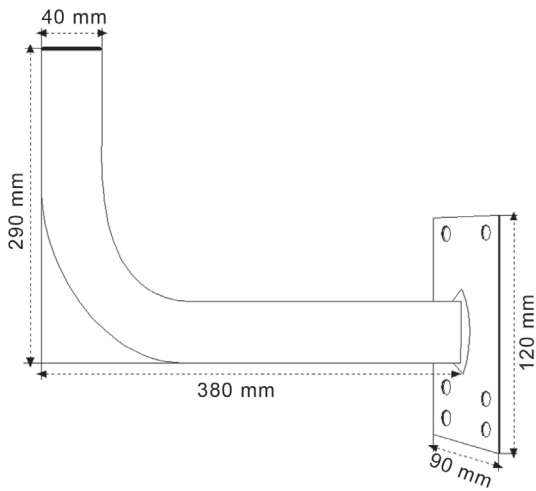
	PG 32	PG 40	P 40	P 40 L	P 40 C
Code	9003070	9003071	9003048	9003048-L	9003048-C
Installation type	Wall / mast / rail	Wall / mast / rail	Wall	Wall	Wall
Bracket diameter	32 mm	40 mm	40 mm	40 mm	40 mm
Distance to wall	320 mm	450 mm	380 mm	420 mm	380 mm
Bracket height	165 mm	235 mm	290 mm	290 mm	290 mm
Plate size (Wide x Height)	100 x 100 mm	135 x 200 mm	90 x 120 mm	140 x 180 mm	140 x 180 mm
Recommended antenna	OR 58	OR 58 / OR 80	OR 58 / OR 80	OR 58 / OR 80	OR 58 / OR 80
Compatible bridles	BRC / BRL	BRC / BRL	-	-	-
Treatment	Hot-galvanized	Hot-galvanized	Hot-galvanized	Hot-galvanized	Hot-galvanized
Weight	0,62 Kg	1,3 Kg	1 Kg	1,6 Kg	1,52 Kg
Packing quantity	1/10	1/2	1/10	1/10	1/10



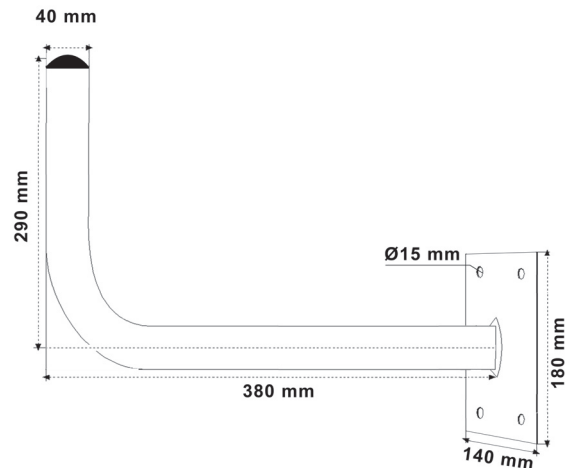
PG 32



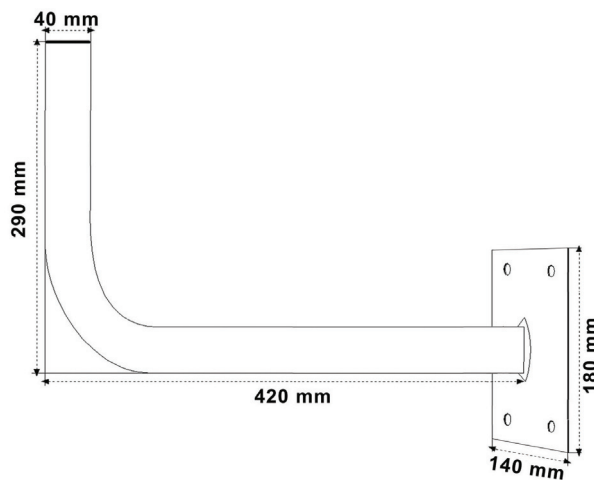
PG 40



P 40



P 40 C



P 40 L